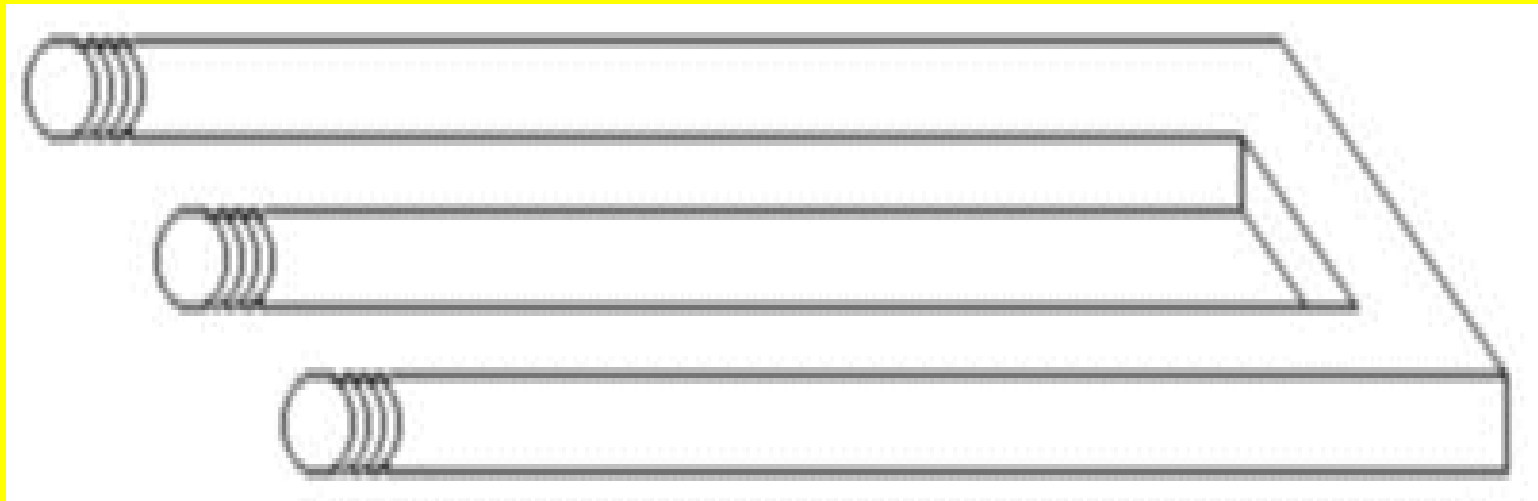


CHECK YOUR EYES BEFORE WATCHING THESE FIGURES

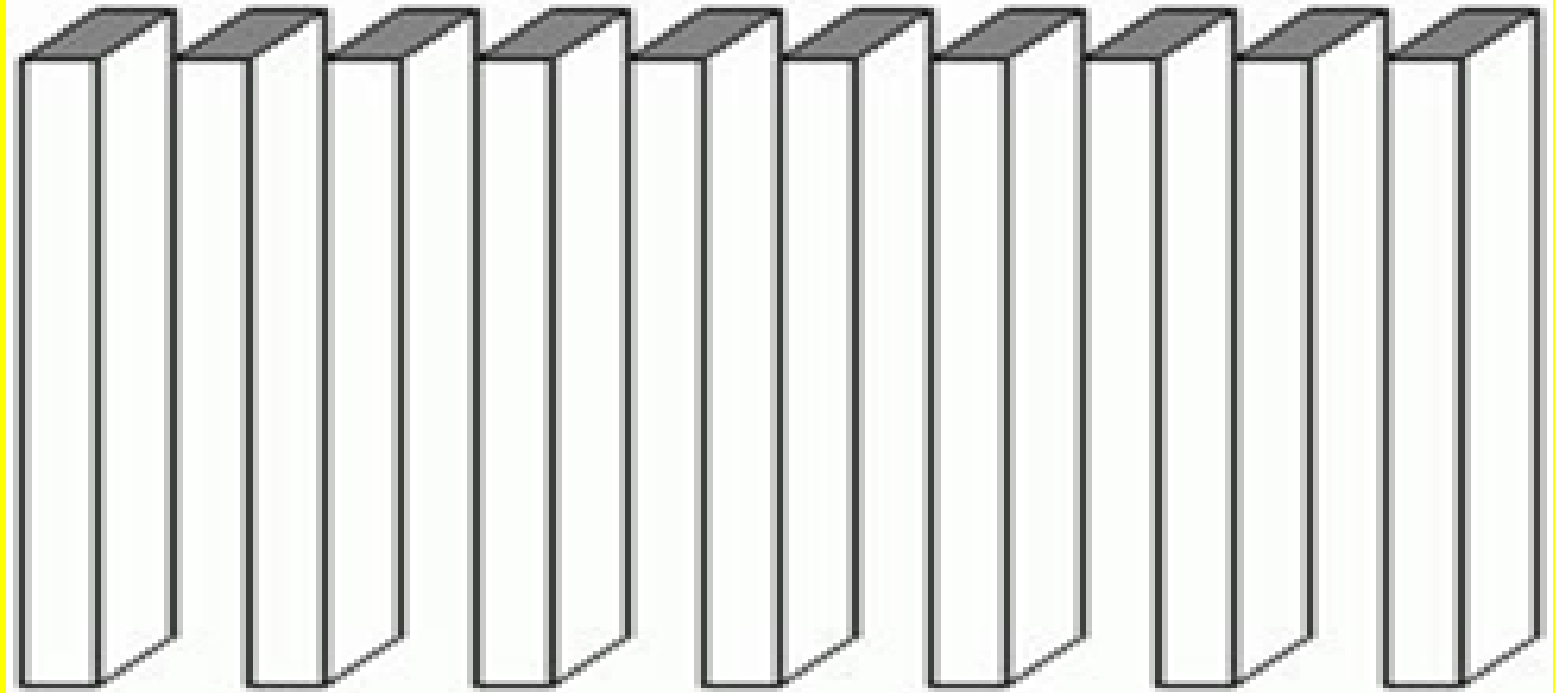
THIS MAY MESS UP YOUR MIND....IT IS UP TO YOU!

1. Look from left to right from top to bottom.

The rod in the middle does not exist



2. How many, 7 or 10. Count at the top and then at the bottom.

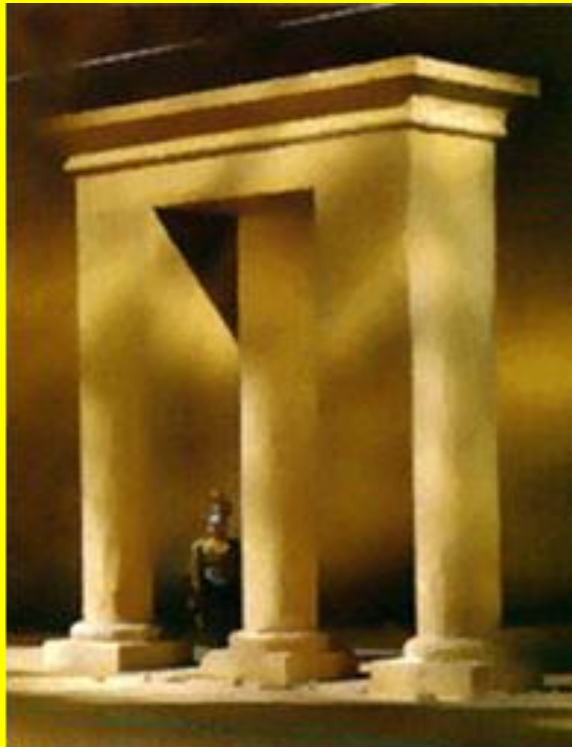


3. Is the door open to inside or outside?



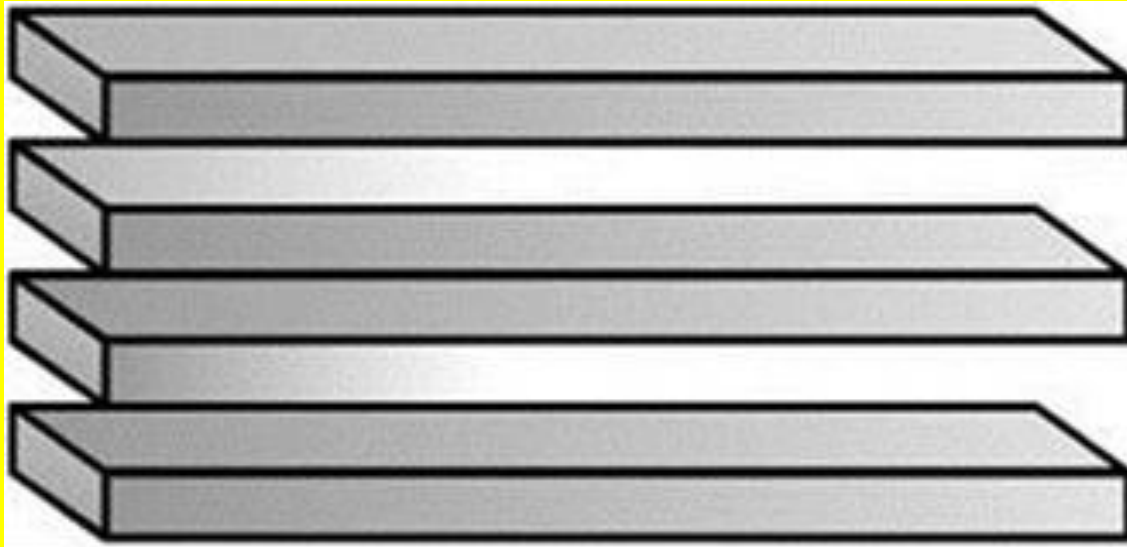
FOR MORE VISIT MY WEB BLOG AT
<http://suratiundhiyu.wordpress.com/>

4. Round or square?

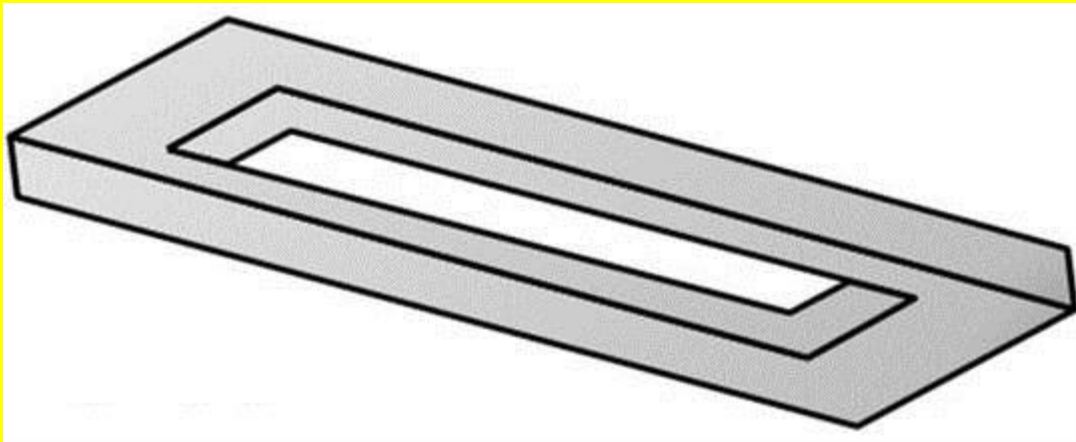


FOR MORE VISIT MY WEB BLOG AT
<http://suratiundhiyu.wordpress.com/>

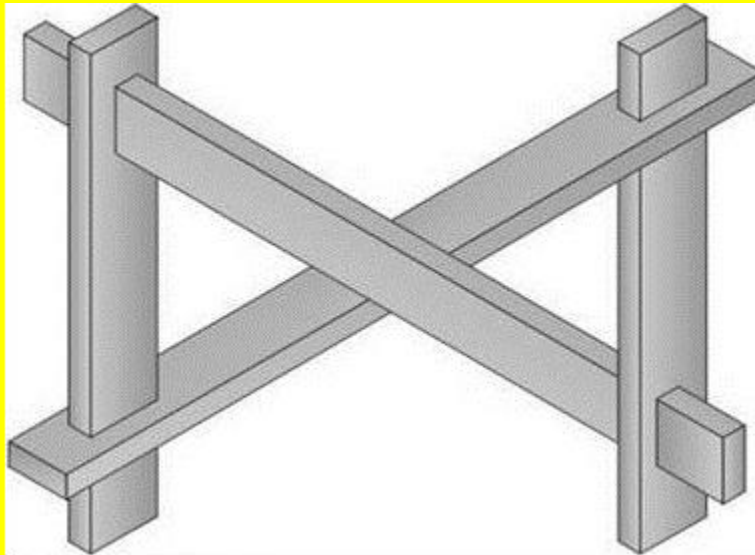
5. How many, 3 or 4?



6. Is this just one?



7. Rare construction.



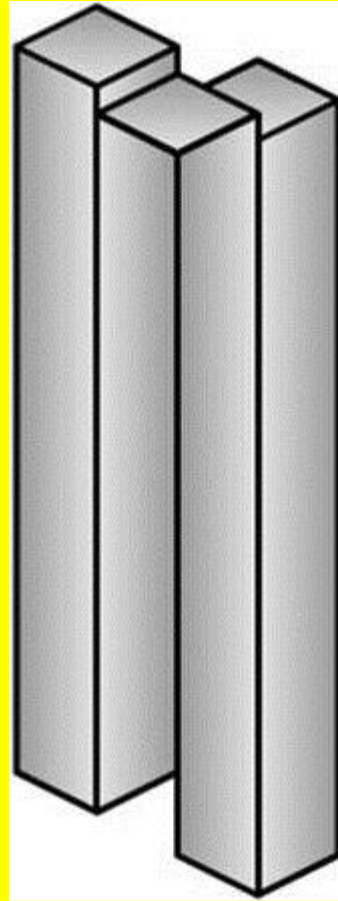
FOR MORE VISIT MY WEB BLOG AT
<http://suratiundhiyu.wordpress.com/>

8. The centre beam disappears, look from left to right.



I HOPE YOUR MIND AND EYES ARE PERFECT

9. 2 or 3?



FOR MORE VISIT MY WEB BLOG AT
<http://suratiundhiyu.wordpress.com/>